



Tatenhill Aviation Limited
Tatenhill Airfield, Newborough Road, Needwood,
Burton upon Trent, Staffs. DE13 9PD. United Kingdom
Tel: +44(0)1283 575283 www.tatenhill.com

Mrs Lisa Bird
Planner, Development Control
East Staffordshire Borough Council
PO Box 8045
Burton upon Trent
Staffordshire
DE14 9JG

Dated: 11/06/2020

Dear Lisa,

Please see attached documentation in respect of our plan to erect 4 poly-tunnel type hangars.

The hangars will be used to house existing Tatenhill Aviation customer's aircraft.

We would like to confirm that the Airfield is classed as an airport due to the annual turnover, but do not consider that these new hangars will result in a significant increase in Airfield traffic.

This request is pursuant to our Part & Rights reference no. GPDO 2015 PART 8. CLASS F.

Yours sincerely,

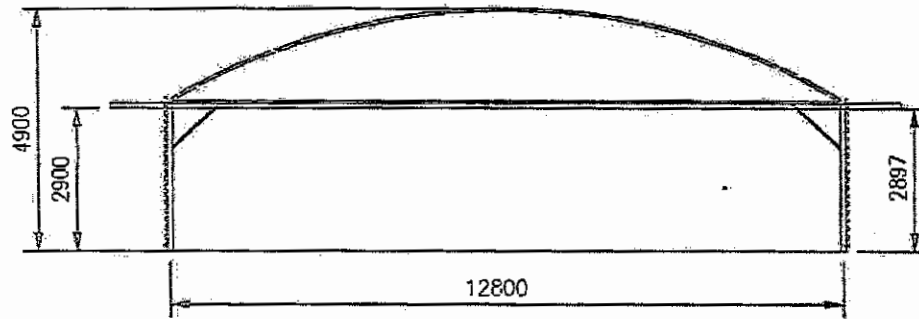
A handwritten signature in black ink, appearing to read "Mike Shelton". The signature is written in a cursive style and is positioned above the printed name.

Mike Shelton
Chief Executive
Tatenhill Aviation Limited

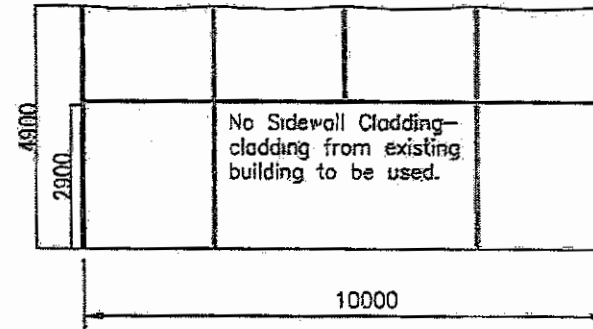
P_2020_00596
Received 11/06/2020



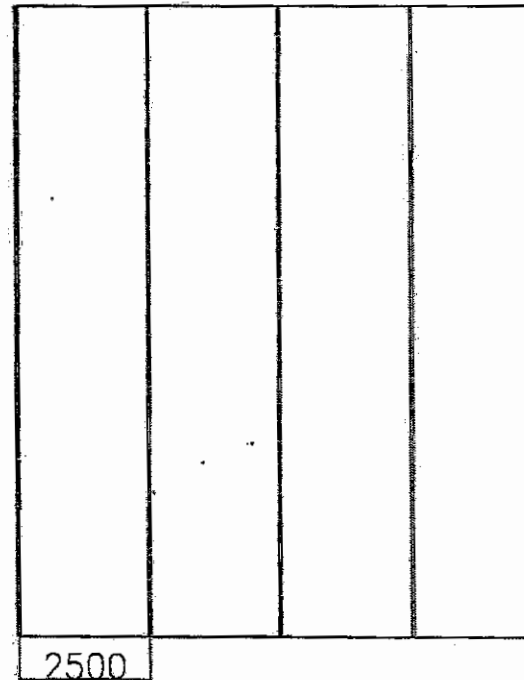
GABLE VIEW



SIDE VIEW



PLAN VIEW



Shelton - Hangar 20800 x 12500

Access height 2897mm
 Access width 12200mm

Steel sides to 3000mm
 610gsm Heavy Duty PVC roof covering

McGREGOR
 POLYTUNNELS LIMITED

TON FARM, ERSFIELD ROAD, WLEY, STS, SO24 0HB +44(0)1982 772388 +44(0)1982 772471 e: sales@mcgregorpolytunnels.co.uk	Page No: _____ DWG Name: _____ Project: _____ Scale: NTS Date: 17-10-14 Drawn: MDA
---------------------------------------------------------------------------------------------------------------------------------------	---------------------------------------------------------------------------------------------------

P_2020_00596
Received 11/06/2020

